

# JVC

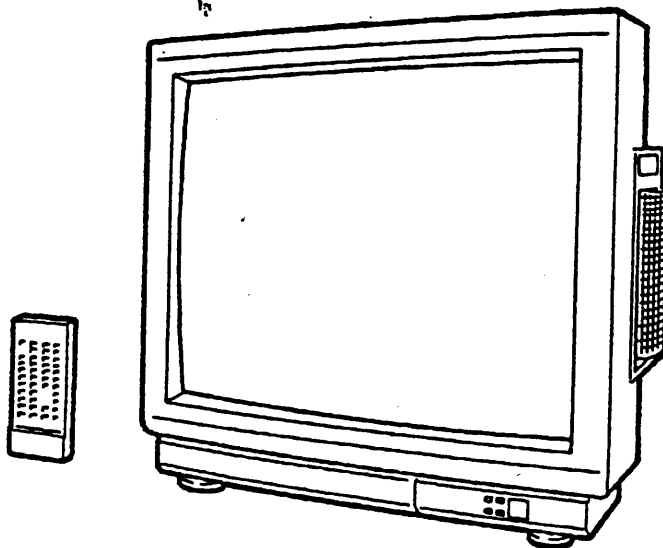
## SERVICE MANUAL

65cm COLOUR TV

### AV-S250M

BASIC CHASSIS

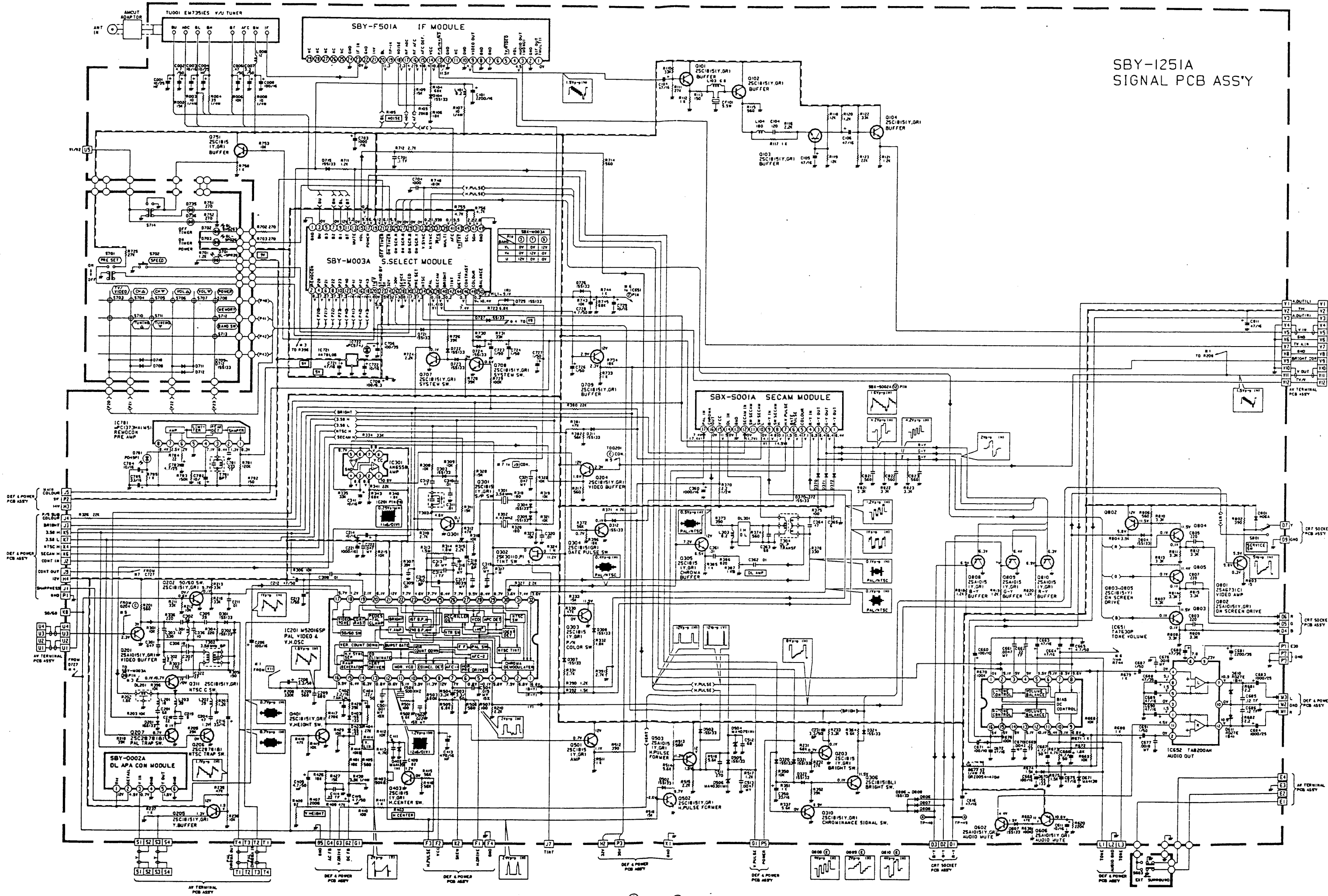
BY- I

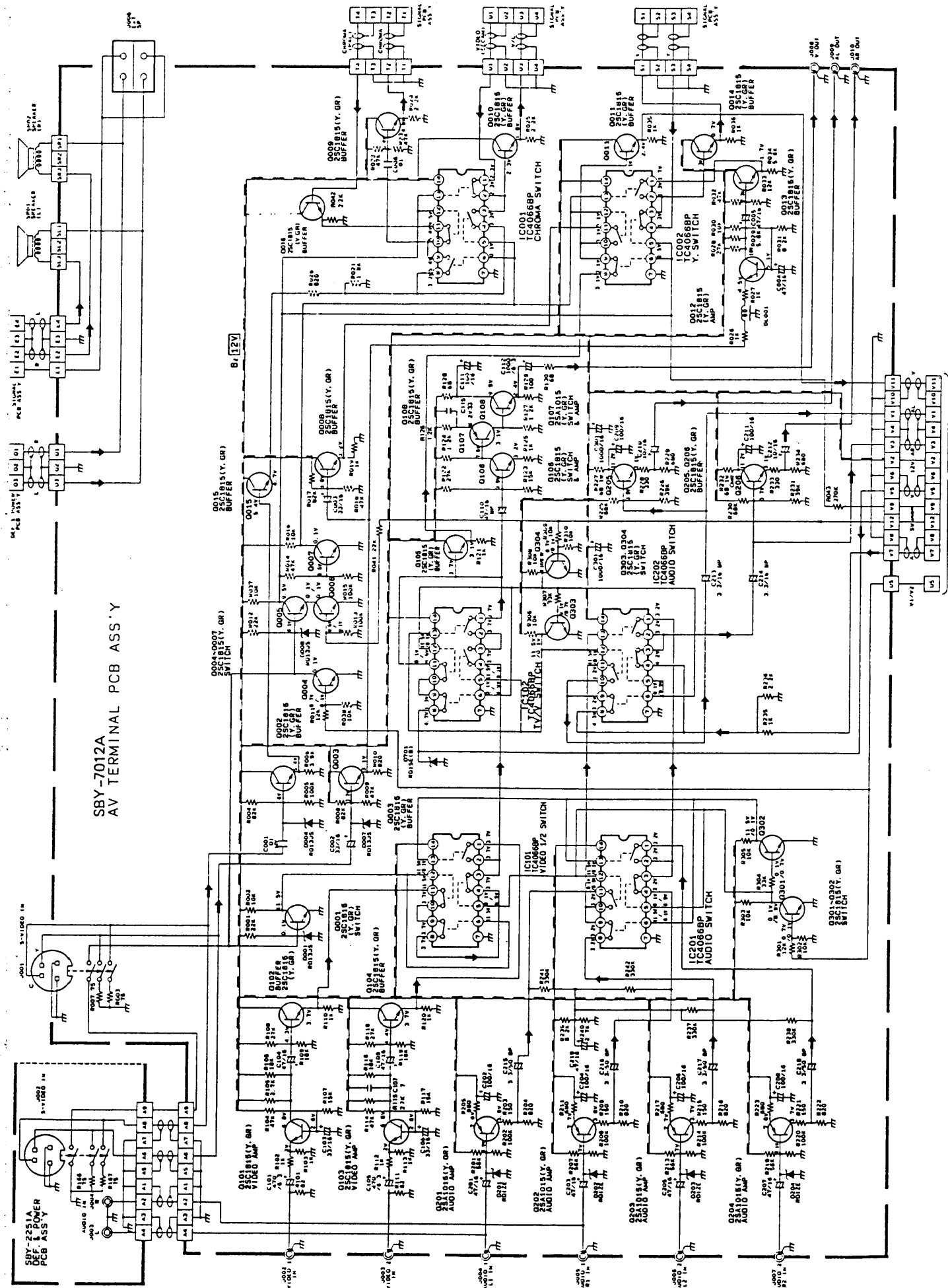


### CONTENTS

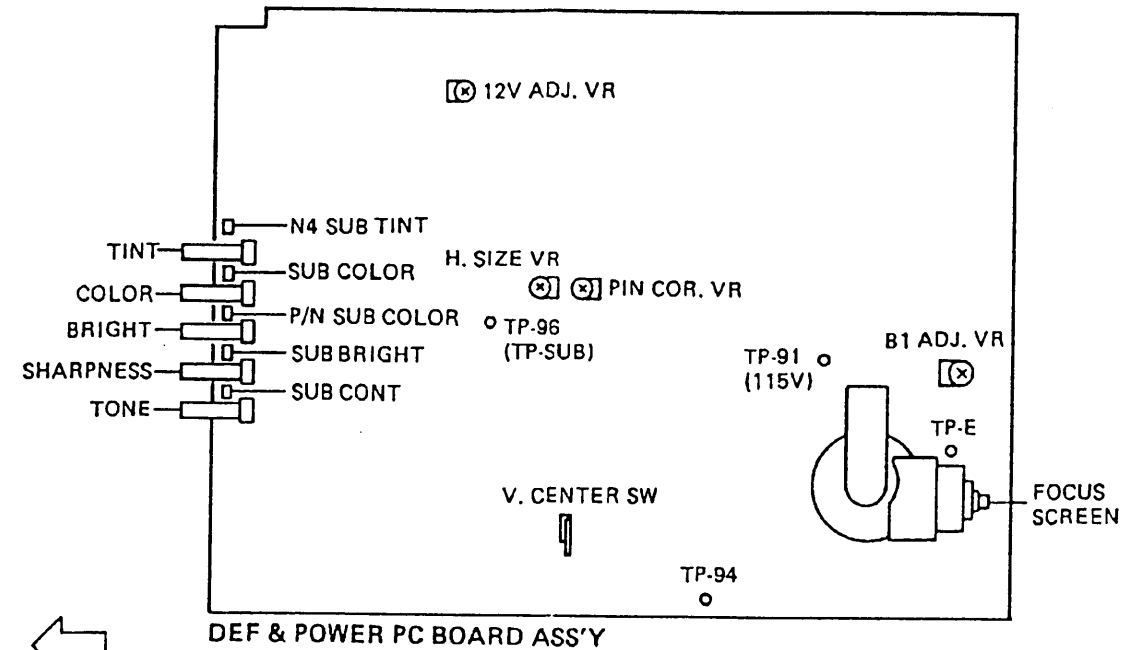
■ SPECIFICATIONS .....	2
■ SAFETY PRECAUTIONS .....	3
■ FEATURES .....	4
■ FUNCTIONS .....	4
■ SPECIFIC SERVICE INSTRUCTIONS .....	7
■ SERVICE ADJUSTMENT .....	10
■ PARTS LIST .....	17
★ SCHEMATIC DIAGRAM(APPENDED) .....	①~⑩

SBY-1251A SIGNAL PCB ASS'Y

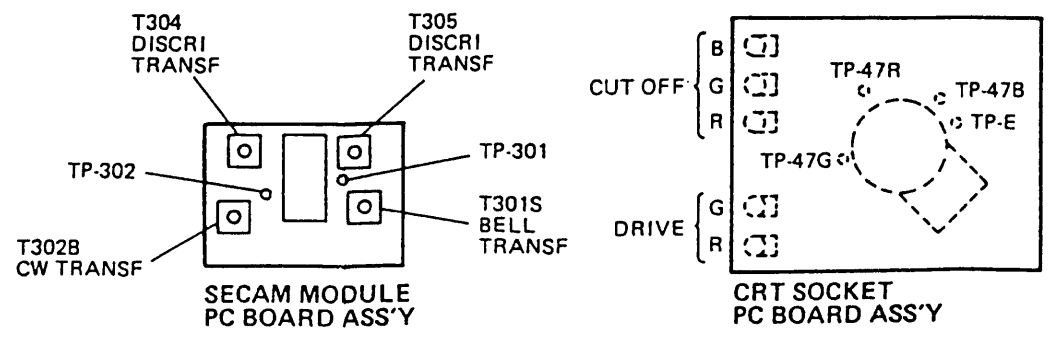
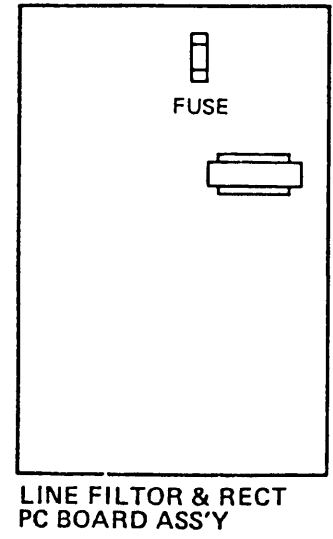
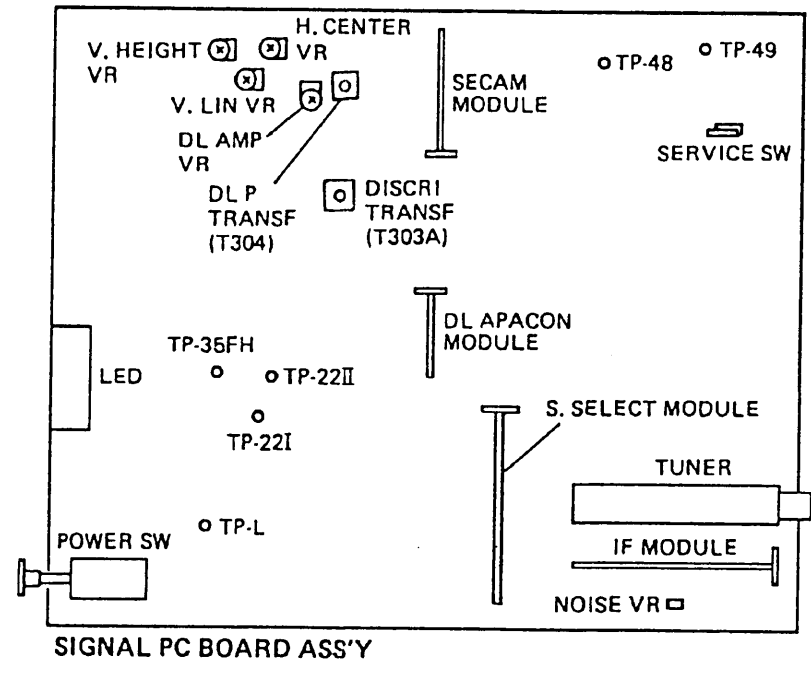




ADJUSTMENT LOCATION

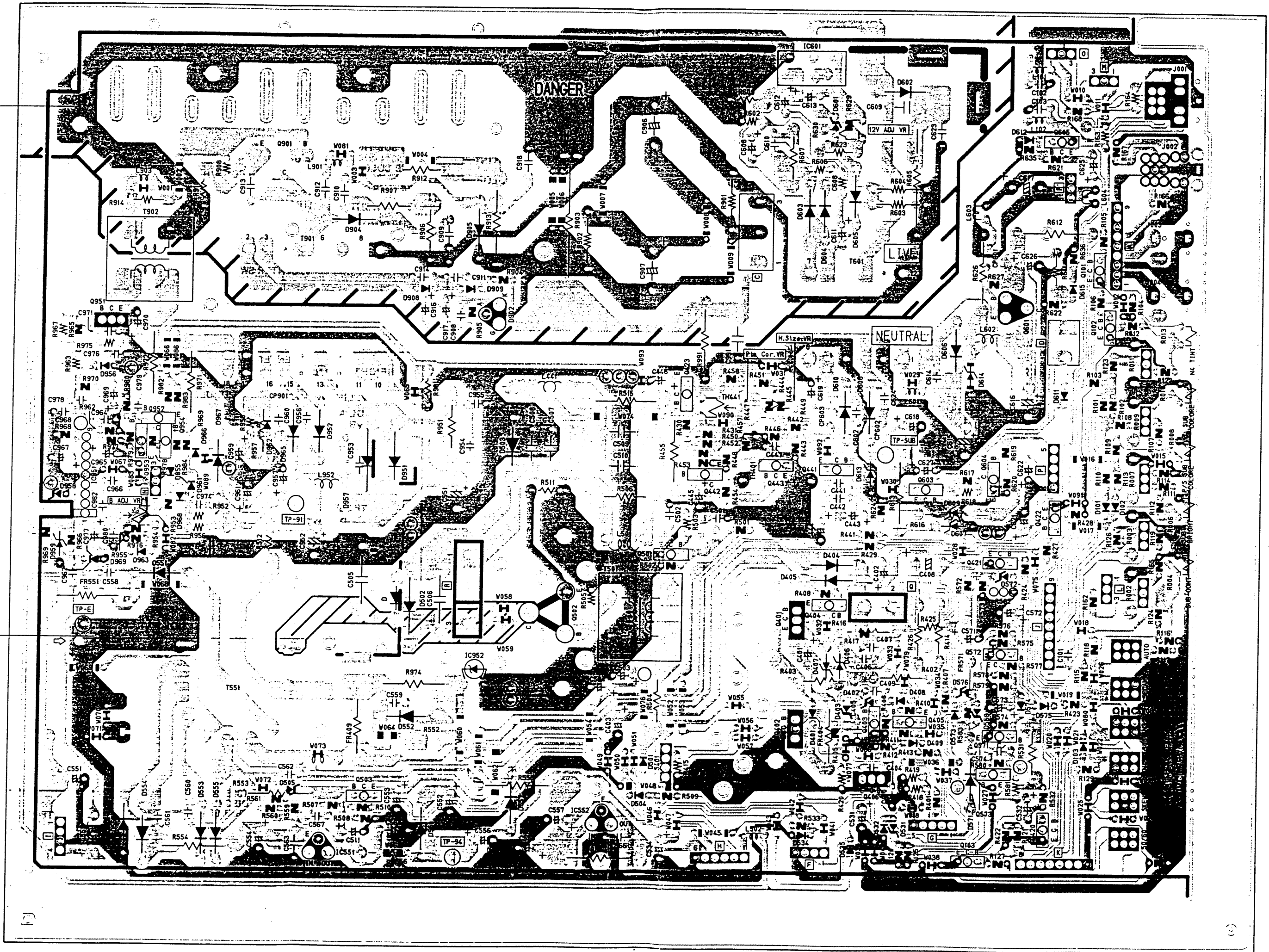


FRONT

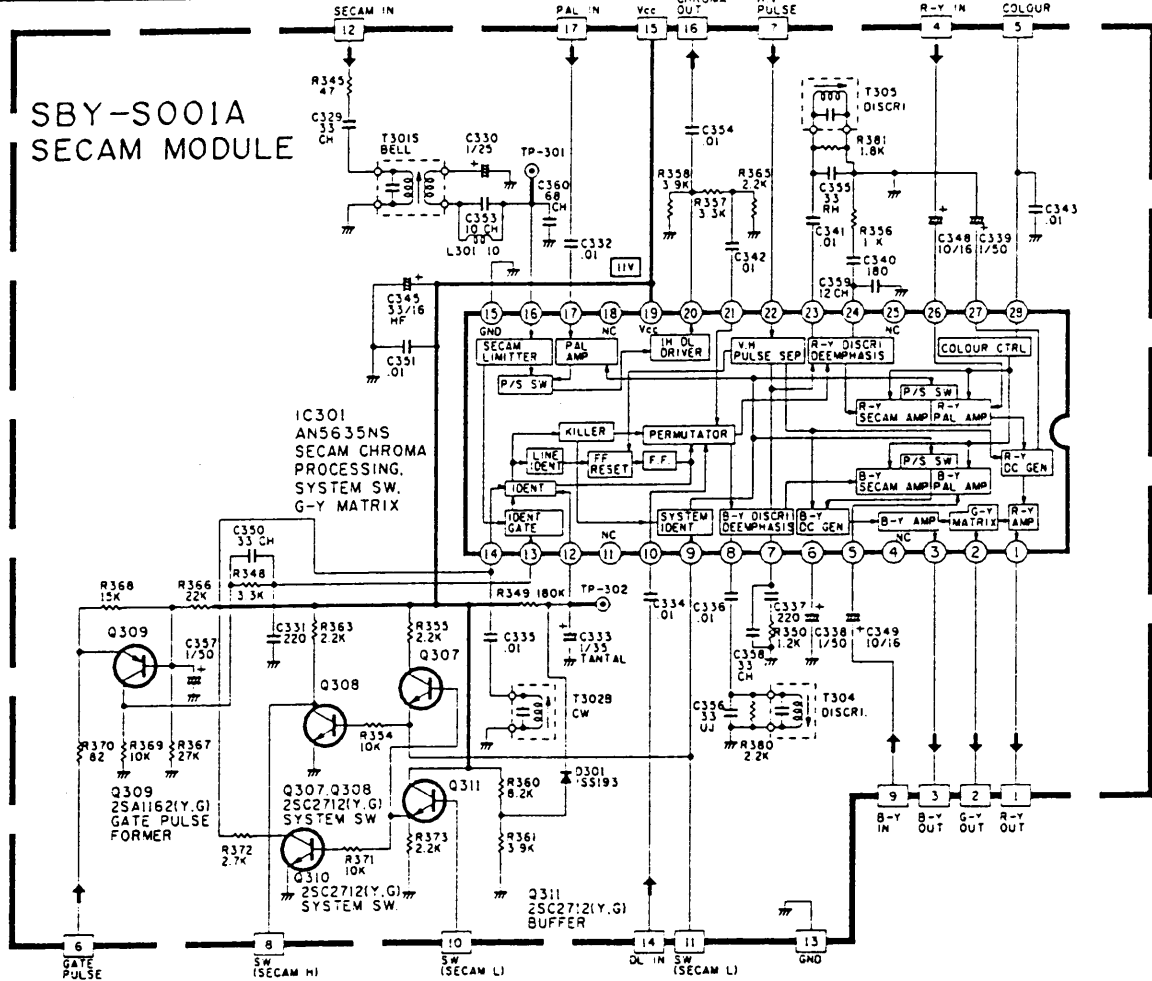


(L)

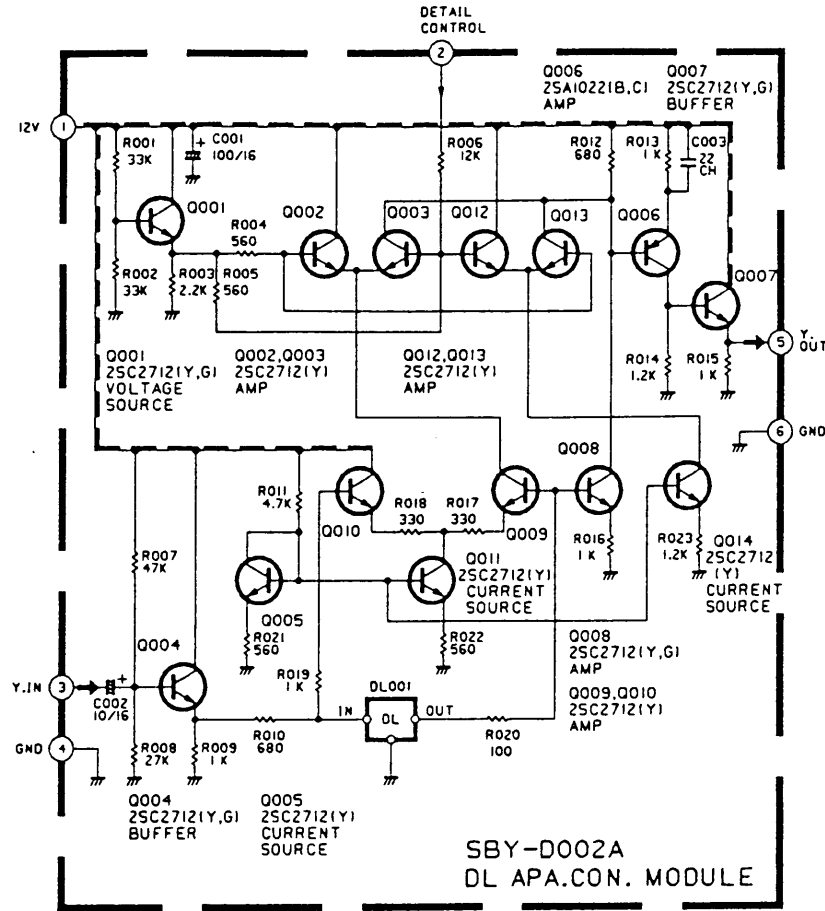
(H)



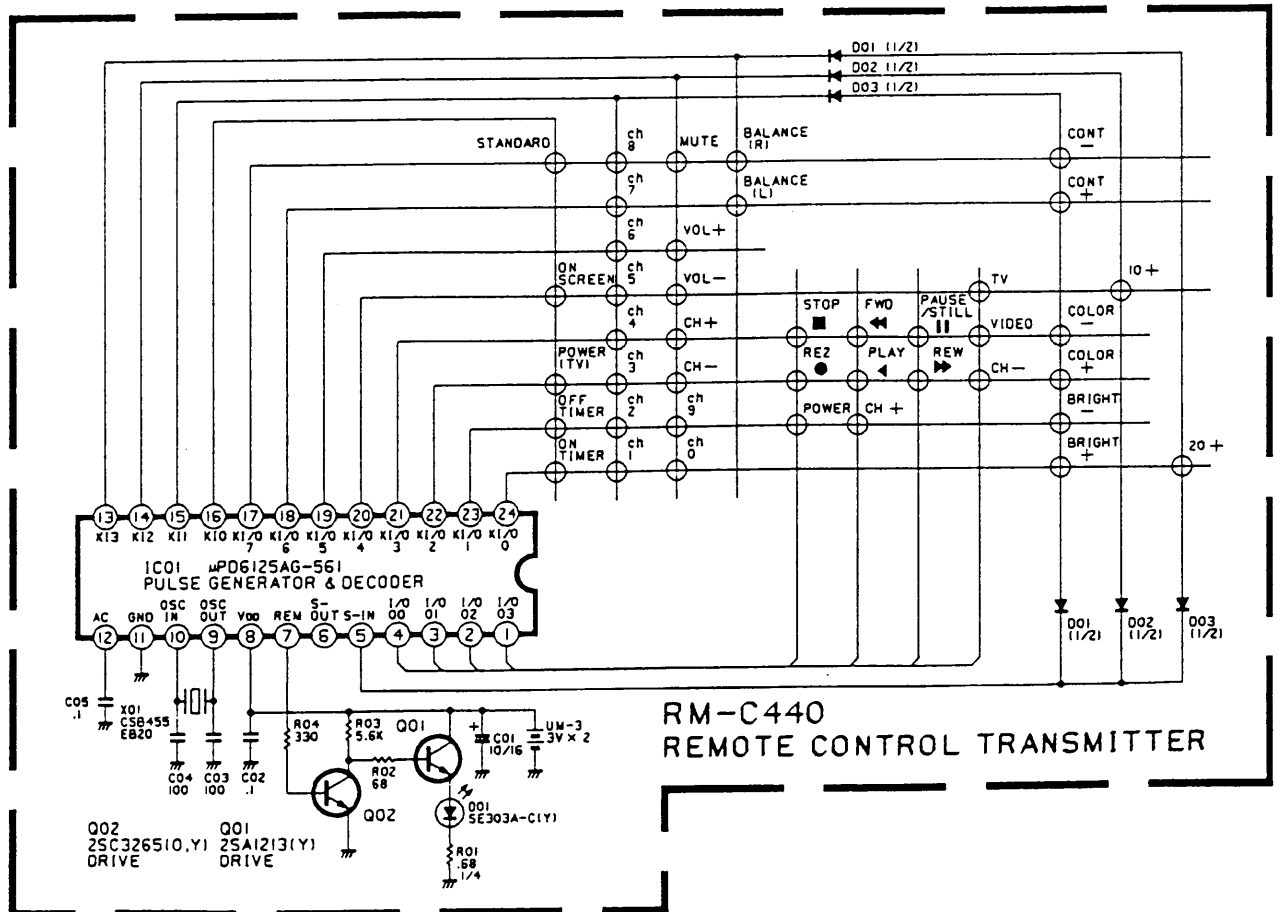
ECAM MODULE SCHEMATIC DIAGRAM



DL APA CON MODULE SCHEMATIC DIAGRAM



REMOTE CONTROL TRANSMITTER SCHEMATIC DIAGRAM

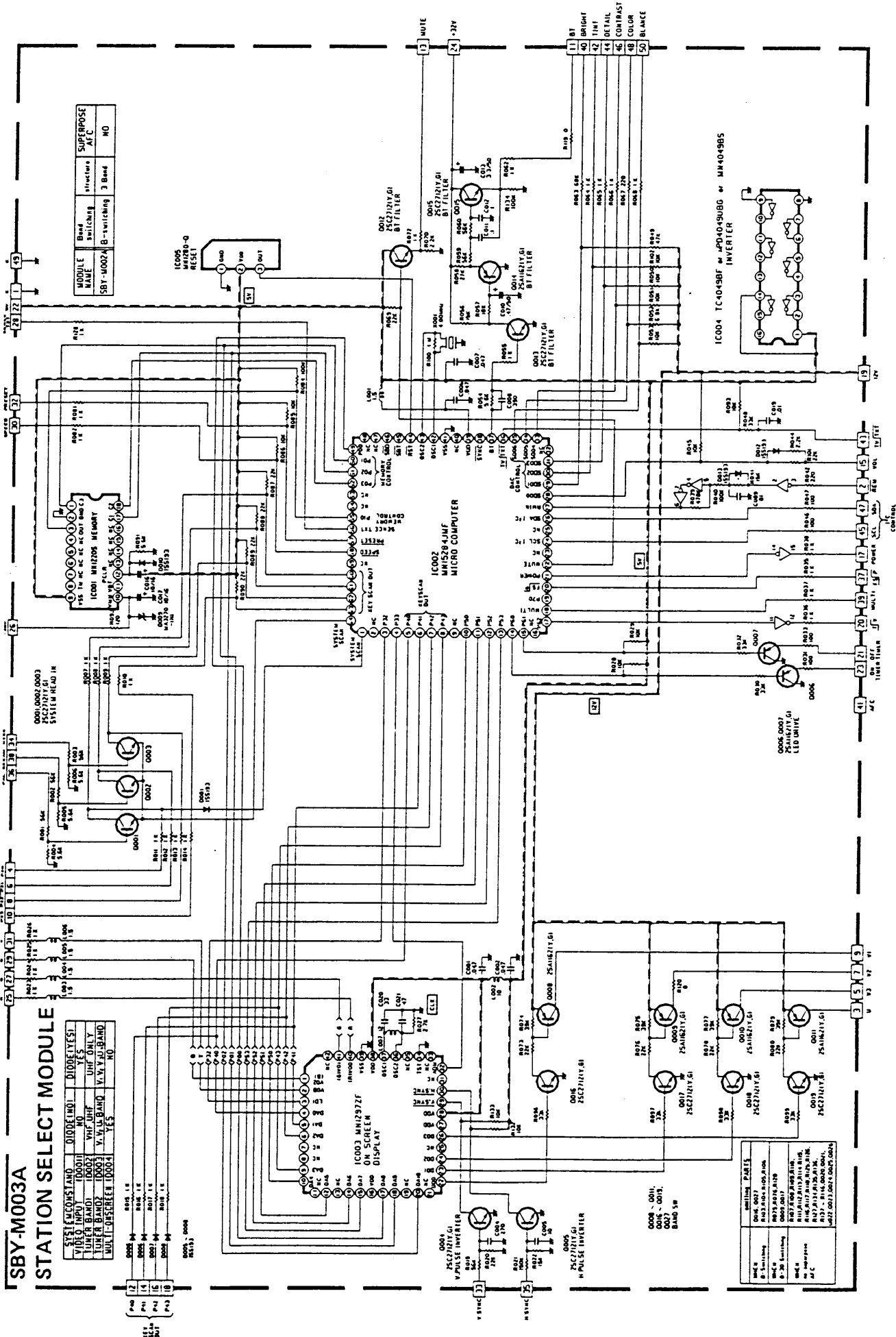


S. S

16

SBY-M003A  
STATION SELECT MODULE

3. SELECT MODULE SCHEMATIC DIAGRAM



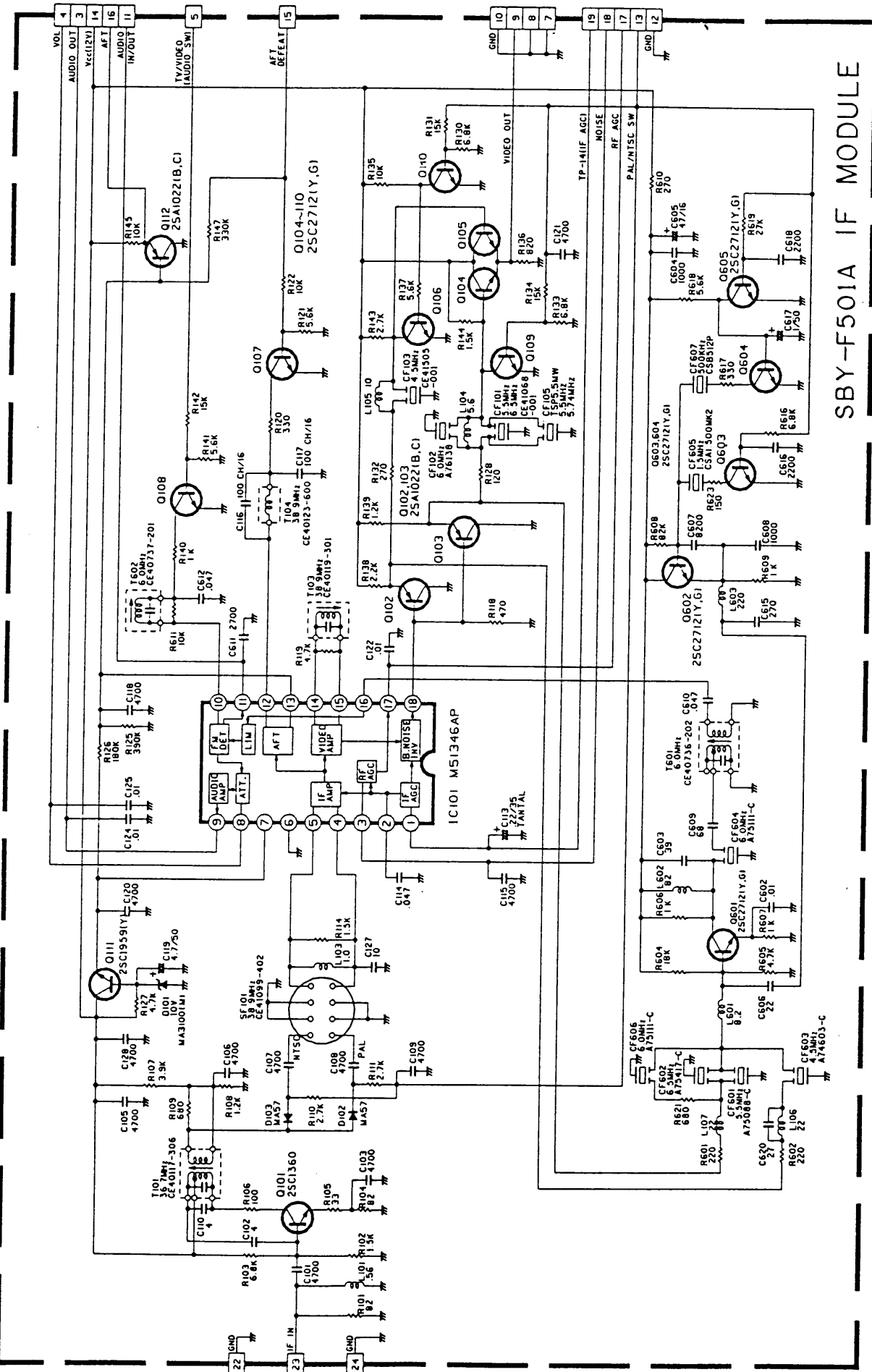
SBY-M003A

STATION SELECT MODULE

SYSTEM CONSTANT	DIODE NO.	DIODE TYPE
V.I.D.O. (M.P.S.)	100001	YES
U.H.F. ONLY	100002	NO
V.V.L.S. BAND	100003	YES
V.V.L.S. BAND	100004	NO
M.U.L.TI-SCREEN	100005	NO

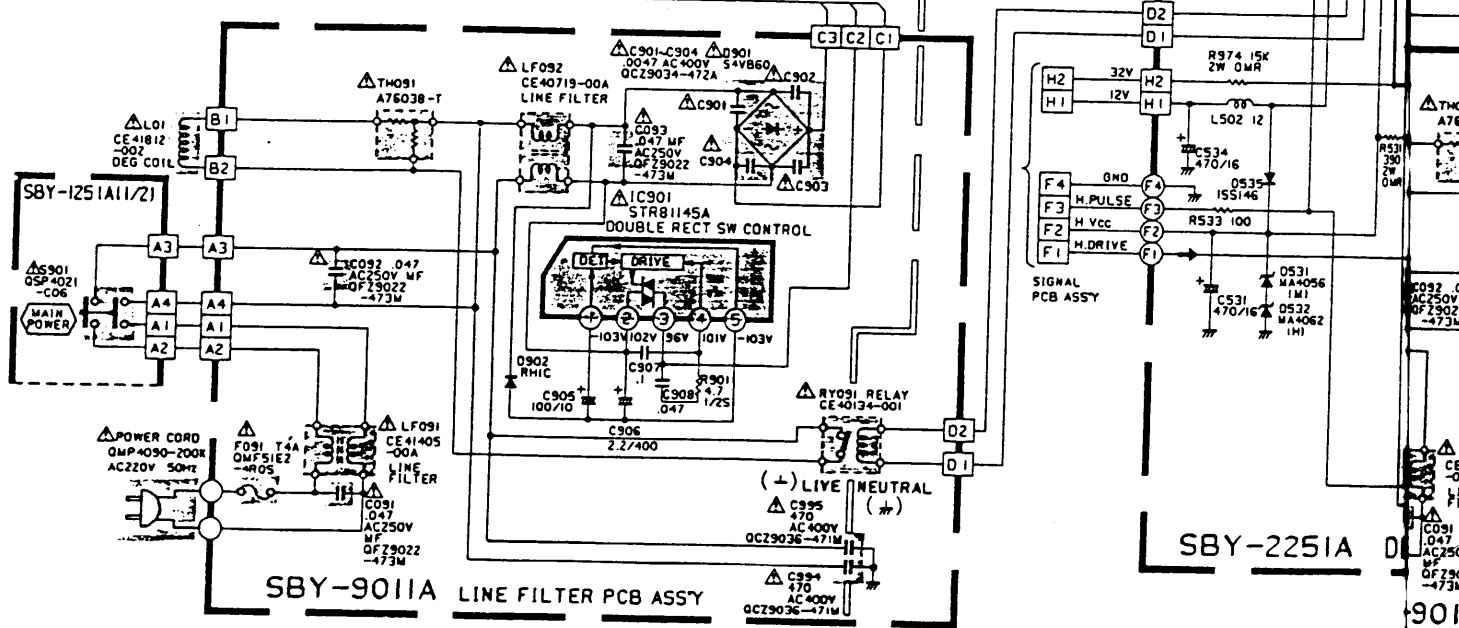
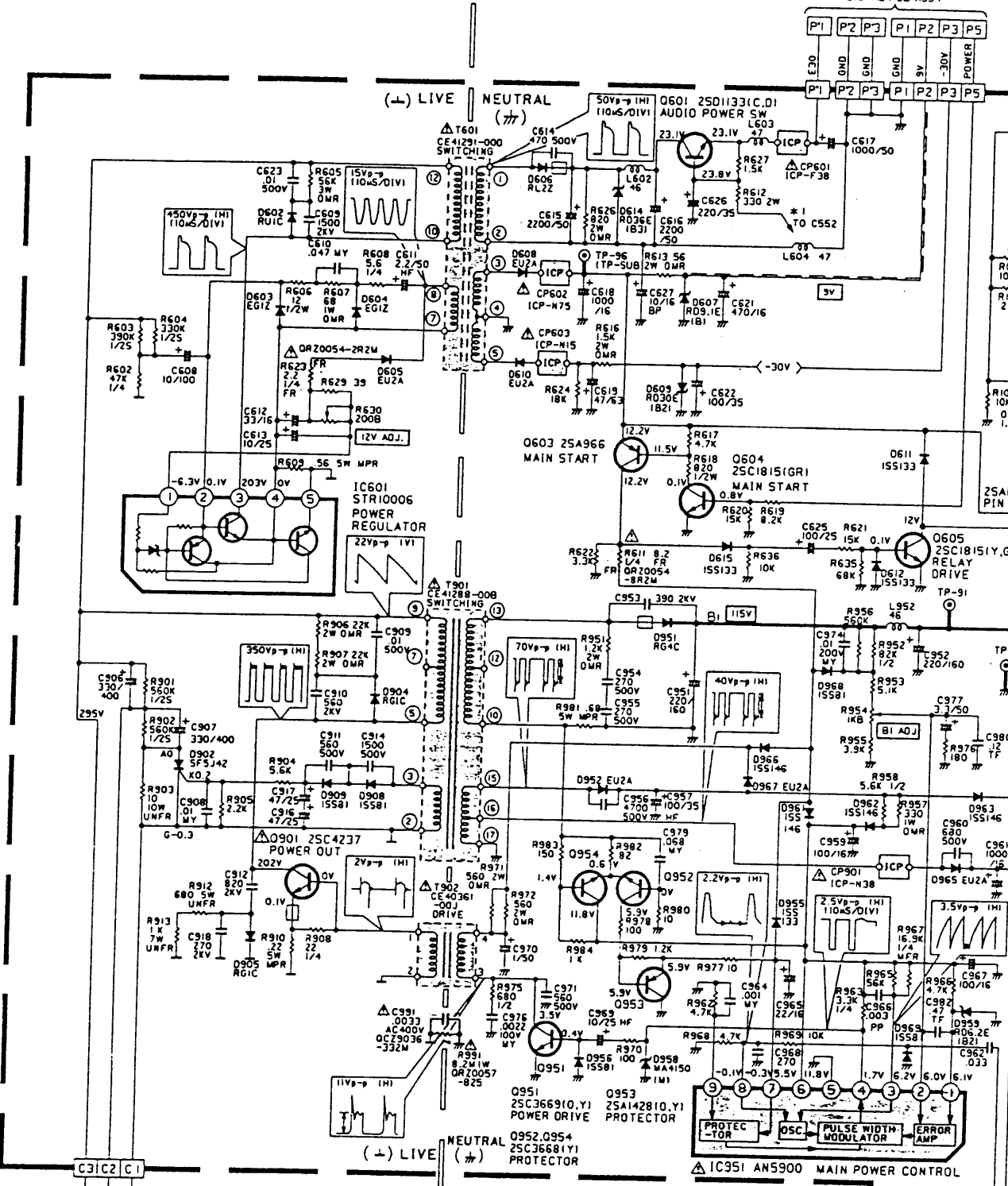
IC	Part No.	Manufacturer
IC001	M41205	PHILIPS
IC002	MM5284JMF	PHILIPS
IC003	M41297Z7	PHILIPS
IC004	TC-0458F	PHILIPS
IC005	RESISTOR	RESISTOR
IC006	PULSE INVERTER	PHILIPS
IC007	LED DRIVER	PHILIPS
IC008	PULSE INVERTER	PHILIPS
IC009	BAND SW	PHILIPS
IC010	PULSE INVERTER	PHILIPS
IC011	PULSE INVERTER	PHILIPS
IC012	PULSE INVERTER	PHILIPS
IC013	PULSE INVERTER	PHILIPS
IC014	PULSE INVERTER	PHILIPS
IC015	PULSE INVERTER	PHILIPS
IC016	PULSE INVERTER	PHILIPS
IC017	PULSE INVERTER	PHILIPS
IC018	PULSE INVERTER	PHILIPS
IC019	PULSE INVERTER	PHILIPS
IC020	PULSE INVERTER	PHILIPS
IC021	PULSE INVERTER	PHILIPS
IC022	PULSE INVERTER	PHILIPS
IC023	PULSE INVERTER	PHILIPS
IC024	PULSE INVERTER	PHILIPS
IC025	PULSE INVERTER	PHILIPS
IC026	PULSE INVERTER	PHILIPS
IC027	PULSE INVERTER	PHILIPS
IC028	PULSE INVERTER	PHILIPS
IC029	PULSE INVERTER	PHILIPS
IC030	PULSE INVERTER	PHILIPS
IC031	PULSE INVERTER	PHILIPS
IC032	PULSE INVERTER	PHILIPS
IC033	PULSE INVERTER	PHILIPS
IC034	PULSE INVERTER	PHILIPS
IC035	PULSE INVERTER	PHILIPS
IC036	PULSE INVERTER	PHILIPS
IC037	PULSE INVERTER	PHILIPS
IC038	PULSE INVERTER	PHILIPS
IC039	PULSE INVERTER	PHILIPS
IC040	PULSE INVERTER	PHILIPS
IC041	PULSE INVERTER	PHILIPS
IC042	PULSE INVERTER	PHILIPS
IC043	PULSE INVERTER	PHILIPS
IC044	PULSE INVERTER	PHILIPS
IC045	PULSE INVERTER	PHILIPS
IC046	PULSE INVERTER	PHILIPS
IC047	PULSE INVERTER	PHILIPS
IC048	PULSE INVERTER	PHILIPS
IC049	PULSE INVERTER	PHILIPS
IC050	PULSE INVERTER	PHILIPS

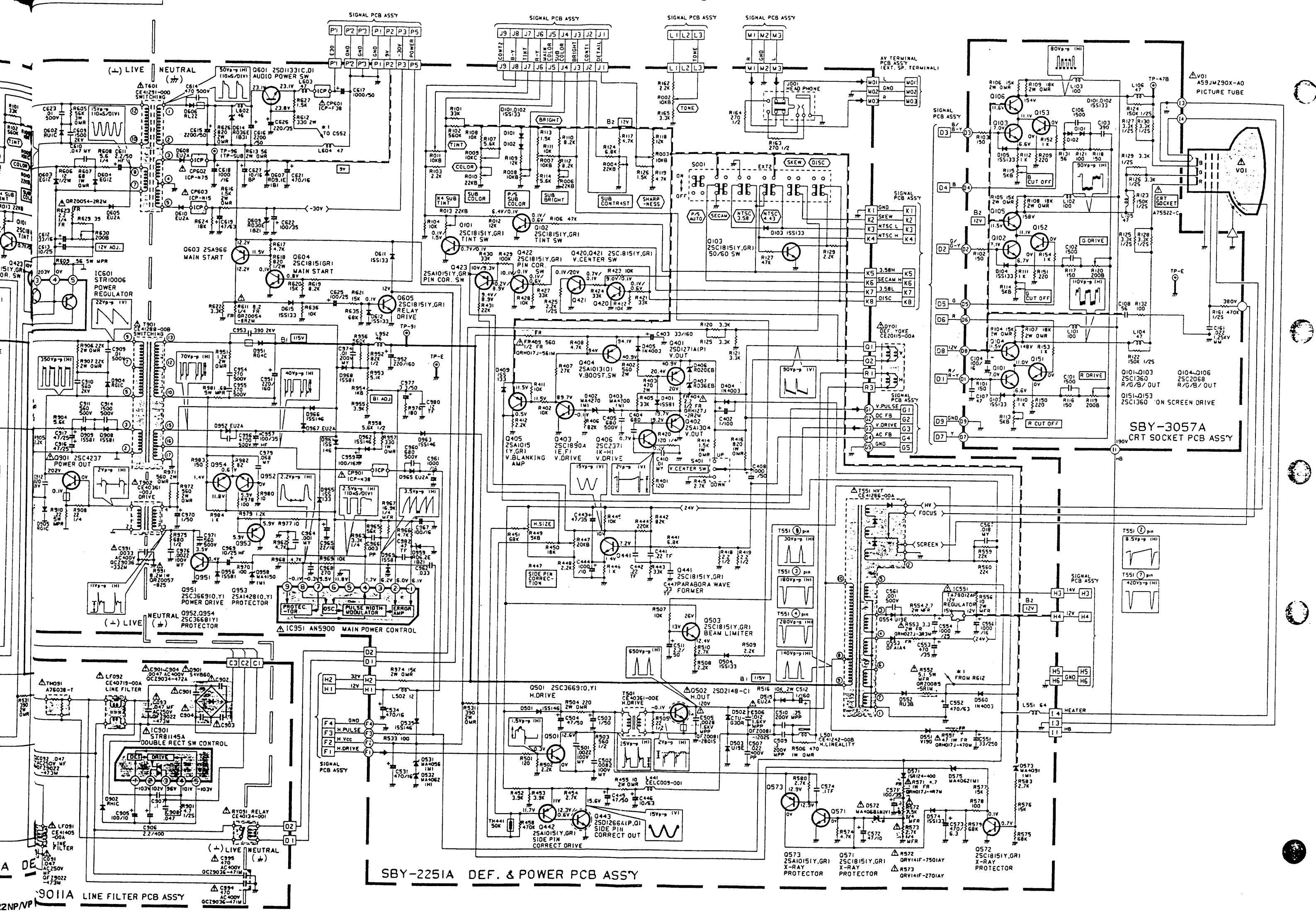
MODULE SCHEMATIC DIAGRAM



SBY-F501A IF MODULE







SBY-2251A DEF. & POWER PCB ASSY

9011A LINE FILTER PCB ASSY

SBY-3057A CRT SOCKET PCB ASSY

AV01 A59J290X-A0 PICTURE TUBE

AV TERMINAL PCB ASSY (EXT. SP. TERMINAL)

SIGNAL PCB ASSY

SIGNAL PCB ASSY

SIGNAL PCB ASSY

SIGNAL PCB ASSY

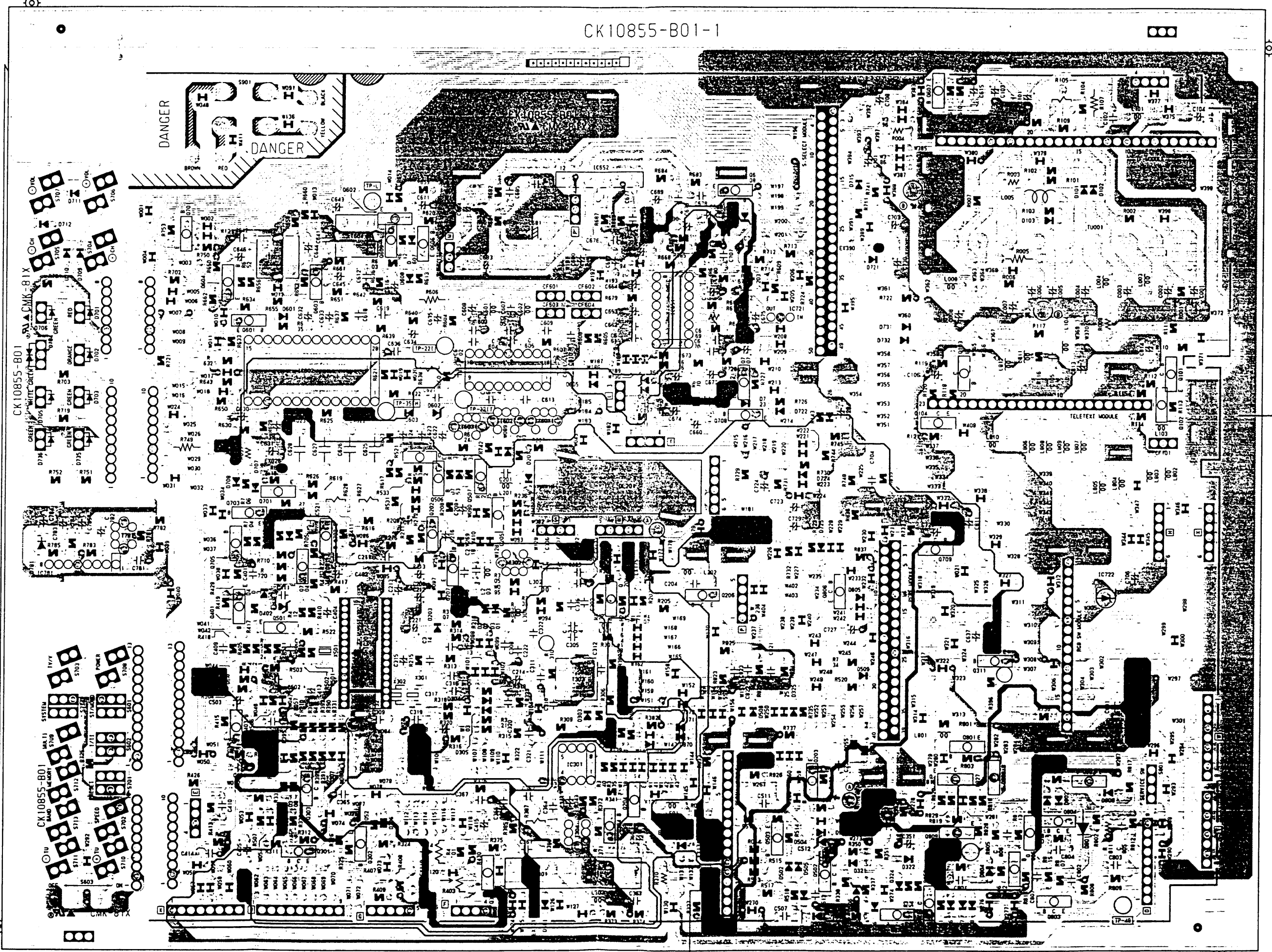
SIGNAL PCB ASSY

SIGNAL PCB ASSY

9011A LINE FILTER PCB ASSY

2NP/VP

CK10855-B01-1



●:PART SIDE PATTERN